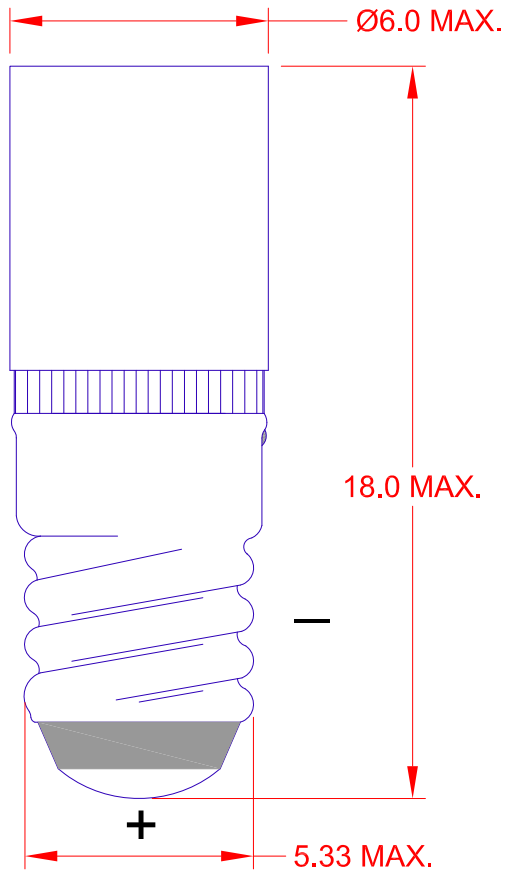


T-1 3/4 MIDGET SCREW BASE LED



JKL PART NUMBER	EMITTING COLOR	AMPERAGE mA	VOLTAGE Vdc	LUMENS	VIEWING ANGLE
LE-MS-6W	WHITE	9.0	6	3	40°
LE-MS-12W	WHITE	30	12	9	40°
LE-MS-24W	WHITE	27	24	8.3	40°

OPERATING TEMPERATURE RANGE -30°C TO +85°C
 STORAGE TEMPERATURE RANGE -40°C TO +100° C

NOTES:

- LED includes integrated diode for reverse voltage protection.
- LED includes integrated resistor for current limiting.

		<p>THIRD ANGLE PROJECTION</p>		<p>METRIC</p> <p>DIMENSIONS ARE IN MILLIMETERS</p> <p>TOLERANCE UNLESS OTHERWISE SPECIFIED</p> <p>1 PL +/- 0.2</p> <p>2 PL +/- 0.20</p> <p>ANGLE +/- 0</p>		<p>JKL COMPONENTS CORPORATION</p>					
				<p>TITLE</p> <p>T-1 3/4 MIDGET SCREW BASE LED</p>		<p>SIZE</p> <p>A</p>		<p>FSCM NO.</p> <p>55335</p>		<p>DRAWING NO.</p> <p>LE-MS MULTI</p>	
<p>RELEASED</p>		<p>6/13/12</p>		<p>DRAWN BY</p> <p>L. WENGSTROM</p>		<p>APPVD BY</p> <p>L.R.</p>		<p>DATE</p> <p>6/13/12</p>		<p>SCALE</p> <p>NONE</p>	
<p>REV. NO.</p>		<p>DESCRIPTION/ECO NUMBER</p>		<p>APPVD DATE</p>		<p>- CAD DRAWING -</p> <p>MANUAL REVISIONS NOT PERMITTED</p>		<p>RELEASED DATE</p> <p>6/13/12</p>		<p>REVISION DATE</p>	
								<p>REV. NO.</p>		<p>SHEET</p> <p>1 OF 1</p>	